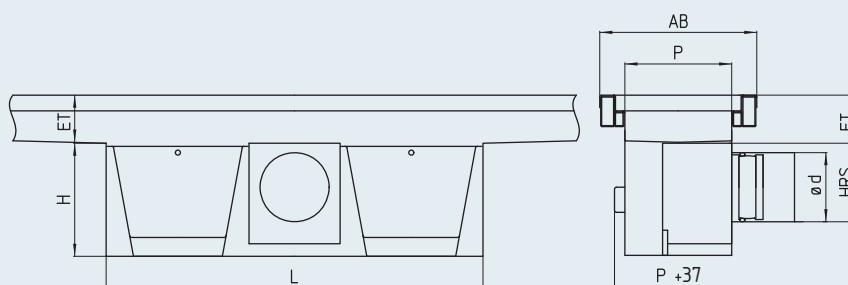
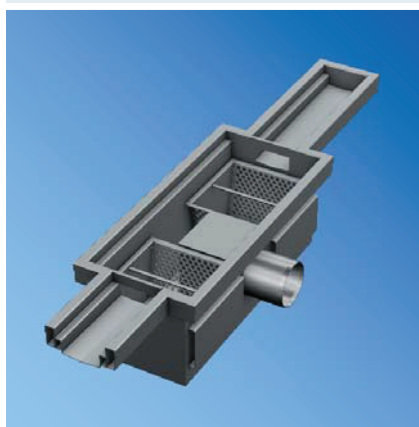




Channel drain RSKE-MIT-W



ET = ED
AT = ID

Channel drain - centred - horizontal

Model	Nenngröße DN	Ø d [mm]	Profil P [mm]	AB [mm]	L [mm]	H [mm]	HRS [mm]	Flow rate [l/s]	Silt box vol.[l]
RSKE-170-100-MIT-W	100	110	170	250	600	180	125	> 2,8	2 x 4,1
RSKE-170-150-MIT-W	150	160	170	250	700	210	150	> 8,2	2 x 4,1
RSKE-220-100-MIT-W	100	110	220	300	600	180	125	> 2,8	2 x 5,0
RSKE-220-150-MIT-W	150	160	220	300	800	210	170	> 8,2	2 x 7,4
RSKE-220-200-MIT-W	200	200	220	300	1000	250	225	> 12,5	2 x 8,7
RSKE-320-150-MIT-W	150	160	320	400	800	210	170	> 8,2	2 x 11,4
RSKE-320-200-MIT-W	200	200	320	400	1000	250	200	> 12,5	2 x 15,0
RSKE-420-200-MIT-W	200	200	420	500	on request				
RSKE-420-250-MIT-W	250	250	420	500	on request				
RSKE-420-300-MIT-W	300	315	420	500	on request				

Description for use in tenders

Channel drain, single-part, Model RSKE, according to EN 1253, welded at the end of the channel. With plug-in air trap and a large stainless steel silt box. Edge protection reinforced with an internally mounted, welded rectangular profile and channel edge. Floor connection as channel. Horizontal runoff support. Surface grain blasted.

Nominal width:	• DN 100	• DN 150	• DN 200	• DN 250	• DN 300
Grade:	• 1.4301 [AISI 304]		• 1.4571 [AISI 316 Ti] ⁸⁾		
Cover:	• Plate cover, M125 • Grating MW25 Support rod 25/2RH		• Bar grate, M125 • Grating MW25 Support rod 25/3RH		• Plate cover, 5 mm • Grating MW25 Support rod 25/4RH

We will be pleased to provide a description for specific objects for use in tenders.

⁸⁾ all parts in contact with media in 1.4571 (AISI 316 Ti)